



EXCLUSIVE

24 30 35

HIGH EFFICIENCY COMBINATION BOILERS


The Exclusive combination boiler is available in outputs of 24, 30 & 35 kW providing a cost effective heating solution for a range of domestic installations.

Complete with domestic hot water temperature controls including a switched preheat function, mechanical built-in timer and a digital operating status & diagnostic display, the Exclusive provides reliable control of the home's heating and hot water performance.

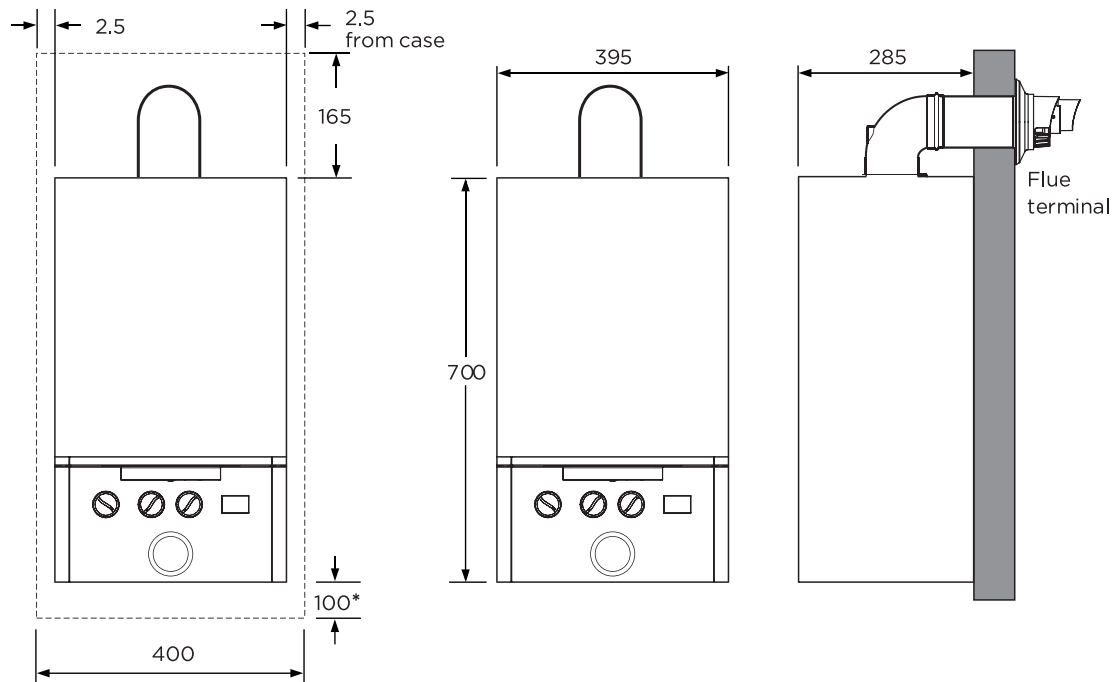
- 3 year parts and labour warranty
- Compact cupboard fit
- Quick and easy to install
- Low lift weight
- Fast fix flue turret connections
- Reduced flue terminal clearances
- Drop down control panel that features quick wiring connections
- Mechanical timer in-built as standard
- Easy access to all components
- Fast hot water response through DHW preheat
- Digital operating & diagnostic display



IDEALBOILERS.COM

 FOLLOW US @IDEAL_HEATING

3 YEAR WARRANTY



Note: The minimum front clearance when built in to a cupboard is 5mm from the cupboard door but 450mm overall clearance with the cupboard door open is required for servicing. *Bottom clearance after installation can be reduced to 5mm. However, 100mm is required for servicing.

TECHNICAL SPECIFICATIONS.

	EXCLUSIVE 24	EXCLUSIVE 30	EXCLUSIVE 35
Weight (packaged) kg	34.6	34.7	34.8
Max installation weight kg	30.85	30.95	31.05
CH output (kW) min/max @ 70°C	4.8 - 24.2	6.1 - 24.2	7.1 - 24.2
CH output (kW) min/max @ 40°C	5.1 - 25.6	6.4 - 25.6	7.5 - 25.6
DHW output (kW) max	24.2	30.3	35.3
DHW flow rate l/min. 35°C rise	9.9	12.4	14.5
SEDBUK rating (2005) %	91.0	91.1	91.0
SEDBUK rating (2009/2012) %	88.9	89.0	88.9
NOx classification	CLASS 5	CLASS 5	CLASS 5
Adjustable to LPG	No	No	No
Max horizontal flue*	9m	8m	6m
Max vertical flue*	7.5m	7.5m	7.5m
Condensing boiler	Yes	Yes	Yes
Seasonal space heating efficiency class	A	A	A
Rated heat output kW	24	24	24
Seasonal space heating energy efficiency η_s %	92	92	92
Sound power level, indoors LWA dB	45	46	44
Water heating energy efficiency class	A	A	A



Available Flue Extensions 0.5m, 1m and 2m. Multiple flue kits available.

* Each 90° elbow used is at the expense of 1000mm of straight flue run, and each 45° elbow is used at the expense of 600mm of straight flue run.